

Cable Ladder

with rung spacing 150 mm and continuously perforated side profiles

KL 60.215 F

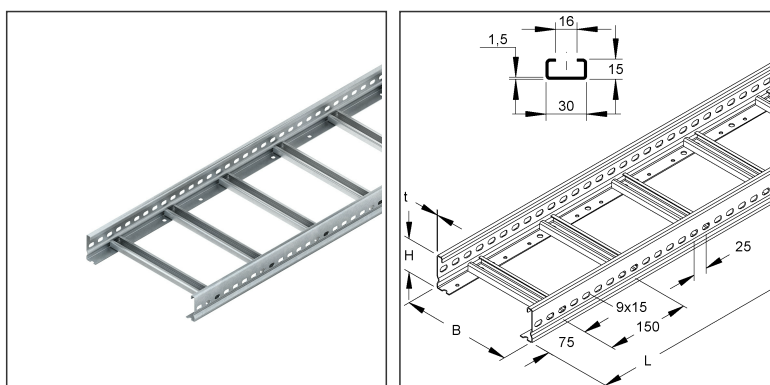
EAN Code: 4013339815302

Smallest packaging unit: 6 m

quantity unit: m M



the photorealistic images are to be considered as reference images



Article Description

Cable ladder, 60x200x6000 mm, t=1,5 mm, perforated, steel, hot dip galvanised DIN EN ISO 1461, Rung profile 2970

Additional Price Information

| | |
|---------------|-----|
| Article group | N13 |
| quantity unit | m |

Weight

| | |
|--------------------------|---------------|
| Weight per quantity unit | 3,491 kg / m |
| Weight in kg per 100 | 349 kg / 100m |

Technical Datasheet

Cable Ladder System

KL 60.215 F

the photorealistic images are to be considered as reference images

Physical Article Dimensions

| | |
|--------------|-----------|
| Height | 60.00 mm |
| Width | 199.00 mm |
| Depth/length | 6000 mm |

Packing Dimension

| | | | | | |
|---------------------------|---------|-------------------------------------|----------------------|--------------------|----------|
| 6 meters = 1 piece | | ✓ VP1-smallest packaging unit (PU) | | ✓ VP1-preferred PU | |
| Lenght | 6000 mm | Width | 199.00 mm | Height | 60.00 mm |
| Gross weight | 21 kg | Volume | 0,072 m ³ | | |
| Min. quantity | 6.00 m | Max. Quantity | 6.00 m | | |

Tender Text

| |
|--|
| <p>Cable ladder acc. to DIN EN 61537, with continuously perforated and profiled side rails, with riveted rungs made of C-profiles with 16 mm slot width. Corresponding U-clamps: B...</p> <p>Please observe additional regulations for use in functional maintenance!</p> <p>Dimensions (approx. dimensions)</p> <p>Height H x Width W : 60 x 200 mm</p> <p>Material thickness side rail : 1.5 mm</p> <p>Rung distance : 150 mm</p> <p>Side rail perforation : 9 x 15 mm</p> <p>Center distance : 25 mm</p> <p>Base perforation : Ø 8.5 mm</p> <p>Center distance : 100 mm</p> <p>Delivery length L : 6000 mm</p> <p>Usable cross-section : 8500 mm²</p> <p>Material : Steel, hot-dip galvanised acc. to DIN EN ISO 1461</p> <p>NIEDAX Model No. : KL 60.215 F</p> <p>EP Material_____ EP Wage_____</p> <p>Unit price/meter</p> |
|--|

Safety & Environment

| | |
|------------|-------------|
| REACH Date | 05.11.2025 |
| REACH Info | Conformable |
| RoHS Info | Conformable |

Origin & International Trade

| | |
|-------------------------|----------|
| Country of origin | DE |
| Federal State of Origin | RP |
| Customs tariff number | 73089059 |

Technical Datasheet

Cable Ladder System

KL 60.215 F

the photorealistic images are to be considered as reference images

Related items

Barrier strip

| Model No. | Description |
|-----------|---|
| KLWC 16 F | Barrier strip fastening clamp, for 16 mm slot width, steel, hot dip galvanised DIN EN ISO 1461, incl. accessories |
| RW 35 F | Barrier strip, 30x3000 mm, t=0,75 mm, steel, hot dip galvanised DIN EN ISO 1461, incl. accessories |

Connector

| Model No. | Description |
|-----------|--|
| KLVB 60/4 | Splice plate, steel, hot dip galvanised DIN EN ISO 1461, incl. accessories |